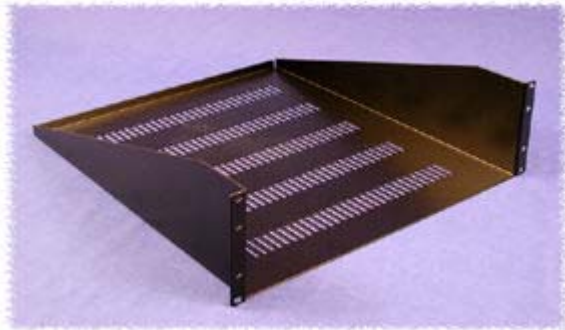
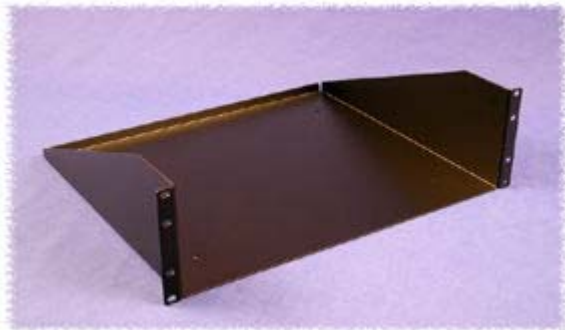


Shelves (Fixed) - Panel Mount (Single Pair of Panel Rails)

Path: [Home](#) > [Rack Index](#) > Shelves (Fixed) - Panel Mount



Vented
(20" Deep - 3U Shown)



Unvented
(15" Deep - 3U Shown)

Panel Rail Mounted Fixed Chassis/Shelf (Vented or Unvented)

- Shelves feature formed 14-gauge steel construction
- Choice of four heights - 1.75"(1U), 3.5"(2U), 5.25"(3U) or 7"(4U) of panel space
- Rear lip folded up for extra strength & acts as a rear equipment retainer
- Weight load tested: (1U-40 pounds, 2U-100 pounds, 3U & 4U-200 pounds)
- Mounts to front rail either as an internal shelf or external shelf/work area
- Choice of two depths - 15" or 20"
- Available in either vented or unvented versions
- Rugged powder paint finish
- Requires mounting [hardware](#)



Assembly
Instructions

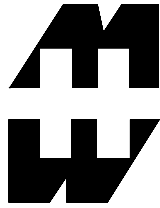
VENTED

Part Number	Color	Paint Texture	Panel Height		Drawing File Size	.zip File Size	Panel Width	Shelf Depth
			Inches	Units				
19" Rack Mount								
RASV190115BK1	Black	Textured	1.75	1	63K	57K	19"	15"
RASV190120BK1	Black	Textured	1.75	1	73K	68K	19"	20"
RASV190315BK1	Black	Textured	3.50	2	66K	57K	19"	15"
RASV190320BK1	Black	Textured	3.50	2	73K	68K	19"	20"
RASV190515BK1	Black	Textured	5.25	3	35K	54K	19"	15"
RASV190515CG1	Grey/Beige	Textured						

RASV190520BK1	Black	Textured	5.25	3		39K		62K	19"	20"
RASV190520CG1	Grey/Beige	Textured								
RASV190715BK1	Black	Textured	7.00	4		62K		52K	19"	15"
RASV190720BK1	Black	Textured	7.00	4		70K		60K	19"	20"
23" Rack Mount										
RASV230515BK1	Black	Textured	5.25	3		42K		65K	23"	15"
RASV230520BK1	Black	Textured	5.25	3		49K		77K	23"	20"
24" Rack Mount										
RASV240515BK1	Black	Textured	5.25	3		45K		65K	24"	15"
RASV240520BK1	Black	Textured	5.25	3		48K		78K	24"	20"

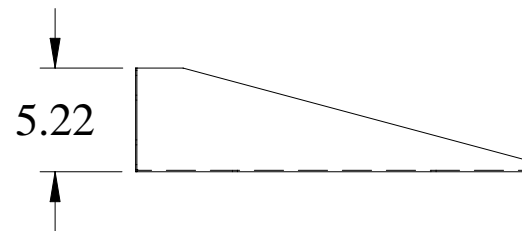
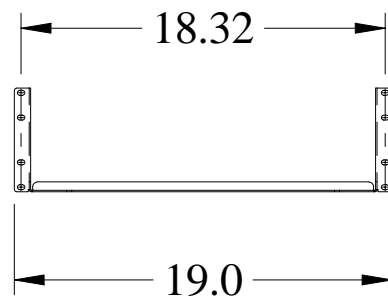
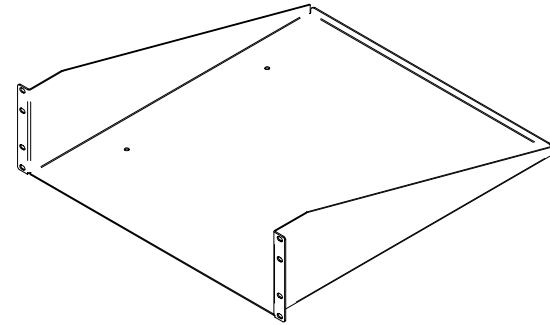
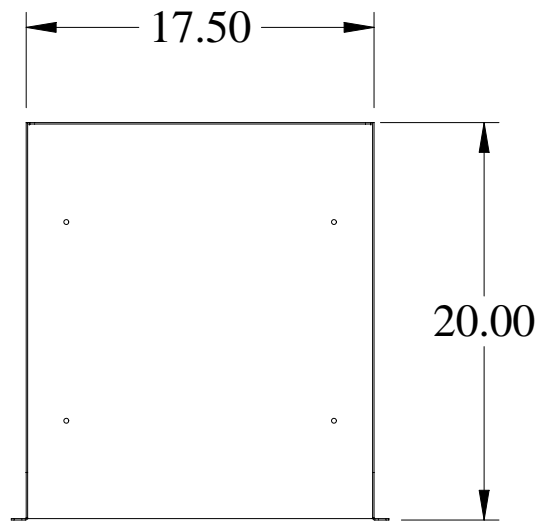
UNVENTED

Part Number	Color	Paint Texture	Panel Height		Drawing File Size	.zip File Size	Panel Width	Shelf Depth	
			Inches	Units					
19" Rack Mount									
RASU190115BK1	Black	Textured	1.75	1		39K	15K	19"	15"
RASU190120BK1	Black	Textured	1.75	1		39K	15K	19"	20"
RASU190315BK1	Black	Textured	3.50	2		41K	17K	19"	15"
RASU190320BK1	Black	Textured	3.50	2		41K	17K	19"	20"
RASU190515BK1	Black	Textured	5.25	3		14K	17K	19"	15"
RASU190515CG1	Grey/Beige	Textured							
RASU190520BK1	Black	Textured	5.25	3		14K	17K	19"	20"
RASU190520CG1	Grey/Beige	Textured							
RASU190715BK1	Black	Textured	7.00	4		41K	16K	19"	15"
RASU190720BK1	Black	Textured	7.00	4		41K	16K	19"	20"
23" Rack Mount									
RASU230515BK1	Black	Textured	5.25	3		14K	17K	23"	15"
RASU230520BK1	Black	Textured	5.25	3		14K	17K	23"	20"
24" Rack Mount									
RASU240515BK1	Black	Textured	5.25	3		16K	17K	24"	15"



PART No. RASU190520

ISOMETRIC VIEW NOT TO SCALE



RAIL MOUNT - DUAL MODEM SHELVES

- Standard 19" rack mount - overall 19.5" deep, uses 3.5" (2U) of panel space
- Dual modem shelf permits front and rear access to modems on open relay racks
- 16 gauge steel construction, weight load tested to 200 pounds
- The vented version provides a sturdy shelf without obstructing upward heat movement
- Rugged powder paint finish
- Requires mounting hardware

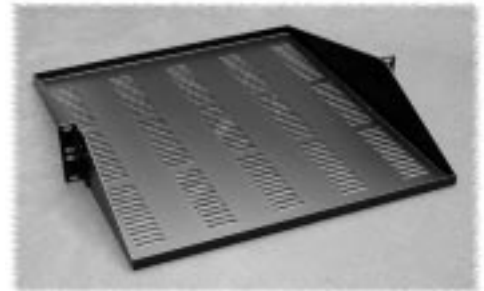
Unvented

Part Number		Panel Width
Black Textured	Grey Smooth	
DNDMS19BK1	DNDMS19GY2	19"
DNDMS23BK1	-	23"



Vented

Part Number		Panel Width
Black Textured	Grey Smooth	
DNDMV19BK1	DNDMV19GY2	19"



RAIL MOUNT SHELVES

- Standard 19" rack mount - rail mount
- 17.25" wide and uses 5.25" (3U) of panel space, choice of two depths, either 15" or 20"
- Rear lip folded up for extra strength & acts as a rear equipment retainer
- 14 gauge steel construction, weight load tested to 200 pounds (unvented), 200 pounds (vented)
- Mounts to front rail either as an internal shelf or external shelf/work area
- The vented version provides a sturdy shelf without obstructing upward heat movement
- Rugged powder paint finish
- Requires mounting hardware

Unvented

Part Number			Panel Width	Shelf Depth
Black Textured	Beige Textured	Grey Smooth		
RASU190515BK1	RASU190515CG1	RASU190515GY2	19"	15"
RASU190520BK1	RASU190520CG1	-	19"	20"
RASU230515BK1	-	-	23"	15"
RASU230520BK1	-	-	23"	20"



Vented

Part Number			Panel Width	Shelf Depth
Black Textured	Beige Textured	Grey Smooth		
RASV190515BK1	RASV190515CG1	RASV190515GY2	19"	15"
RASV190520BK1	RASV190520CG1	-	19"	20"
RASV230515BK1	-	-	23"	15"
RASV230520BK1	-	-	23"	20"

